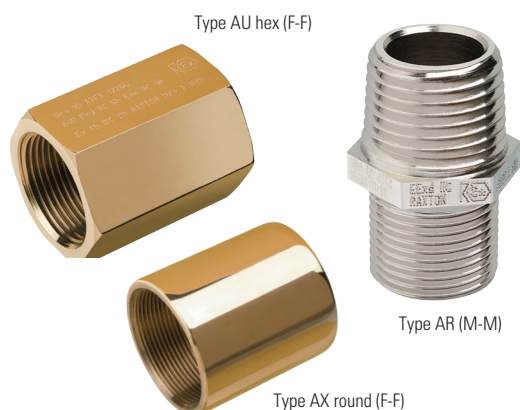


Male to male and female to female adaptors - Raxton

Hazardous area accessories



Features

- Use to connect male-male or female-female threads
- Allows conversion of thread type or size in existing equipment
- Maintains Ex certification
- International Ex certifications
- Ingress protection IP66/IP68
- Various threadforms and materials available
- Brass and stainless steel versions available



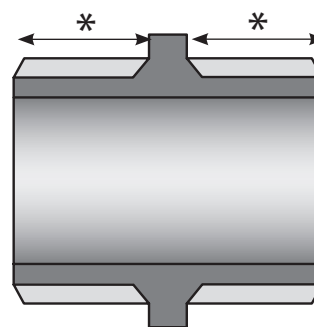
Technical specification

Male to male and female to female adaptors	
ATEX marking	Ex I M2, Ex d I Mb, Ex e I Mb Ex II 2 GD, Ex d IIC Gb, Ex e IIC Gb, Ex tb IIIC Db
ATEX certification	SIRA 10 ATEX 1225X, ITS 16 ATEX 101336X
IEC Ex certification	IECEx SIR 12.0014X, IECEx ITS16.0011X
Other certificates	GOST: TC RUC-G B.ГБ506.B.00105 INMETRO: NCC 12.0764X
Temperature range	This item is classified as a component; metallic products are not given an operating temperature range
Ingress protection	IP6X
Material	brass, mild steel, stainless steel 316L

Dimensions

THREAD SIZE	MALE TO MALE (TYPE AR)			FEMALE TO FEMALE (TYPE AU/AX)	
	LENGTH	ACROSS FLATS	BORE	LENGTH	ACROSS FLATS
M16	37.0	23.37	11.00	38.00	19.05
M20	37.5	23.37	14.00	38.00	24.00
M25	37.5	30.48	18.00	38.00	30.48
M32	37.5	37.59	24.00	38.00	37.59
M40	37.5	47.24	32.00	39.00	47.24
M50	38.0	55.88	41.00	39.00	55.88
M63	38.0	70.10	53.00	39.00	70.00
M75	38.5	80.01	64.00	39.00	90.00

All dimensions in mm.



* Minimum 8 full threads parallel, or 5 full threads taper (Ex d)

Ordering codes (Raxton)

DIGITS 1 & 2 DESCRIPTION (ADAPTORS)	DIGIT 3 CODE	DIGIT 3 MATERIAL	DIGIT 3 CODE	DIGITS 4 & 5 MALE / DIGITS 6 & 7 FEMALE		DIGIT 8 CERTIFICATE	DIGIT 8 CODE	DIGIT 9 SPECIAL	DIGIT 9 CODE	DIGIT 10		
				THREAD SIZE / CODE	CODE					PLATING	CODE	
M-M	AR	Brass	A	M16	11	½" NPT	42	ATEX / IECEx Ex de (all certificates)	None (standard)	X or blank	None	blank
F-F hex	AU	Mild steel	C	M20	12	¾" NPT	43				Nickel	N
F-F round	AX	Stainless steel 316L	E	M25	13	1" NPT	44				Zinc	Z
				M32	14	1¼" NPT	45				Chrome	C
				M40	15	1½" NPT	46				Special	S
				M50	16	2" NPT	47					
				M63	17	2½" NPT	48					
				M75	18	3" NPT	49	Industrial	X or blank			

Other sizes/threadforms available on request

PRODUCT CODE EXAMPLE	M-M ADAPTOR	BRASS	M20 (M)	M20 (F)	Ex d / Ex e	REFERENCE
		AR	A	12	12	Y

For more information about product coding, see page 3.24