



N2LPS M2 Light-Pak™ LED emergency lighting systems

N2LPS Light-Pak emergency lighting systems are designed specifically for egress and emergency illumination in the most demanding harsh and hazardous environments.

Primary applications:

- To provide reliable illumination for egress areas during failure or interruption of power to the normal lighting system
- To illuminate machinery or panels during a loss of AC power
- In areas where flammable gases or vapors may become present due to abnormal, unusual or accidental conditions
- In manufacturing plants, refineries, petrochemical and chemical plants, waste and sewage treatment facilities, oil terminals, food processing facilities, breweries and other industrial manufacturing or process industry facilities subject to wet or corrosive conditions
- Where moisture, dirt, dust or corrosion will limit the life and reliability of ordinary emergency lighting systems
- Where required by the National Electrical Code®, the Life Safety Code® or other applicable codes
- In outdoor applications

Design features and benefits:

Non-metallic, enclosed, gasketed housing – Provides corrosion protection in the most extreme environments.

Durable and marine rated LED lamp head assemblies – Provide protection against water ingress, corrosion and impact.

Nickel cadmium battery – High temperature rated nickel cadmium battery for reliable operation up to 55°C ambient.

Reduced maintenance costs – Self-test, monitoring and diagnostics reduce costly maintenance checks.

Remote mountable lamp heads – Lamp heads can be mounted independently from the enclosure, allowing you to focus light where you need it.

Solid state battery charger – Ensures long life and reliable battery operation. Prevents deep discharge by automatically disconnecting the battery from the luminaire.



Certifications and compliances

NEC and CEC:

- Class I, Division 2, Groups B, C, D; Class I, Zone 2
- Class II, Division 2, Groups F, G (N2LPS only)
- NEMA 4, 4X, marine wet locations suitability

UL Standards:

- UL844; UL924; UL1598A

CSA Standard:

- CSA C22.2 No. 141; and CSA C22.2 No. 137

NFPA:

- Life Safety Code NFPA101® - Section 5-9 (Emergency Lighting)



Powering Business Worldwide

Additional specifications and ordering information

Ordering information:

Model	Description
N2LPSM212222	2.45W MAX, 12V power supply, (2) 1W LED lamp heads
N2LPSM212220	2.45W MAX, 12V power supply, less luminaire heads
N2RFM21221	Remote luminaire assembly, (1) LED lamp head
N2RFM21222	Remote luminaire assembly, (2) LED lamp heads
*N2LPSM212222 UX71SDHAZ	6W, 12V power supply with exit sign (single sided)
*N2LPSM212222 UX72SDHAZ	6W, 12V power supply with exit sign (two sided)

*NEC only.

NOTE: The ECD18 stainless steel breather/drain cannot be used along with either UX7 exit sign due to construction restraints.

Options:

Suffix	Description
S931	Breather/drain
S932	External battery disconnect switch

Weights:

Model	Ibs.	kg.
N2LPSM212222	12.00	7.26
N2LPSM212220	10.00	5.44
N2RFM21221	7.00	3.63
N2RFM21222	8.00	4.08

Temperature rating:

Model	Class I & II, Division 2
N2LPS (all models)	T6
N2RF (all models)	

Note: ambient temperature at which the Light-Pak system is rated is -20°C to 55°C. Operation at temperatures outside this range will affect the battery life and/or the charging performance.

Electrical ratings:

Power supply:

- Input: 120–277 VAC, 50 or 60 Hz; 6 watts max.
- Output: 12 VDC

LED luminaire heads:

- Voltage: 12 VDC
- Lamp: 1 watt LED, 6 watt maximum
- Maximum 6 lamp heads

Standard materials:

Power supply and remote luminaire enclosure:

- Krydon® fiberglass-reinforced polyester

Exterior hardware:

- Nylon, plastic coated, and stainless steel

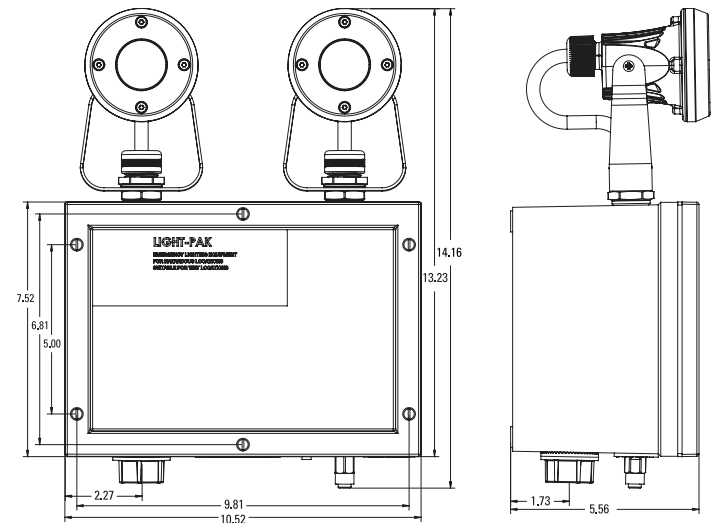
LED lamp head assembly:

- Epoxy powder coated, aluminum

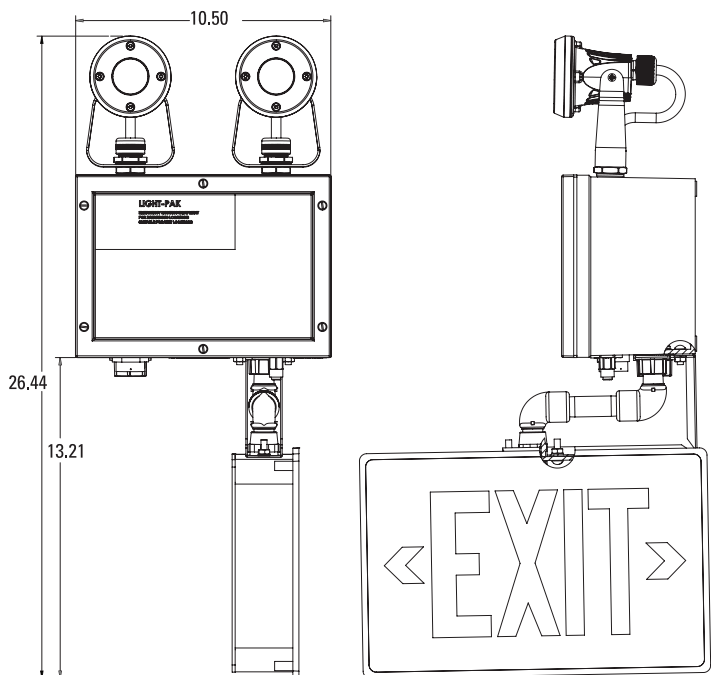
Cover gasket:

- Hypalon® synthetic rubber

Dimensions:



All dimensions in inches



All dimensions in inches

Eaton
1000 Eaton Boulevard
Cleveland, OH 44122
United States
Eaton.com

Eaton's Crouse-Hinds
1201 Wolf Street
Syracuse, NY 13208
Crouse-Hinds.com

© 2024 Eaton
All Rights Reserved
Printed in USA
Publication No. SA403012EN
January 2024

Eaton is a registered trademark.

All other trademarks are property of their respective owners.