

EVLPF(B) fluorescent exit signs

Cl. I, Div. 1, Groups B (with suffix GB), C, D
 Cl. I, Zone 1, Groups IIB + H₂ (with suffix GB), IIB
 Cl. II, Div. 1, Groups E, F, G
 Cl. III & Simultaneous Presence

Marine & Wet Locations
 3, 3R, 4, 4X; IP66

7L

Applications:

EVLPF(B) exit signs are used:

- In any building or enclosed area where people work, where illuminated exit signs are required
- To provide distinct, highly visible exit marking
- To indicate the direction of travel to exits
- In locations deemed hazardous due to the presence of flammable vapors, gases or combustible dusts

Features:

- Six inch red letters on white glass sign panel make the word "EXIT" stand out boldly and clearly
- Lightweight copper-free aluminum housing with powdered epoxy finish
- All exterior hardware is corrosion-resistant stainless steel
- Three mounting arrangements: pendant, ceiling and wall bracket
- Integral ballast
- High power factor (90%+) ballasts
- Easier assembly, installation and maintenance
- Outdoor, hose down, marine and corrosive environments suitable
- Ideal for adverse environments typical of industrial facilities
- Ground wire for safety
- Optional battery back-up for operation during power outage
- Two sided exit (front and back)
- Uses two 26W T4 lamps

About the battery:

- Bodine fluorescent battery pack ballasts are UL component recognized
- Sealed, maintenance-free, high temperature nickel cadmium
- Solid state chargers are sealed inside the ballast case
- 90-minute illumination time
- 10 year life expectancy
- During emergency use, one lamp has continuous operation
- Red indicator light indicates the battery is charging
- Wiring instructions for a "push-to-test" button is supplied with the luminaire

Energy savings:

- Less wattage used with compact fluorescent lamps compared to equivalent incandescent lamps providing the same light output

Certifications and compliances:

NEC/CEC:

- Class I, Division 1, Groups B (with suffix GB), C, D
- Class I, Zone 1, Groups IIB + H₂ (with suffix GB), IIB, IIA
- Class II, Class III & Simultaneous Presence (Class I and Class II)

UL standards:

- UL844 – Hazardous (Classified) Locations
- UL1598 – Luminaires
- UL1598A – Marine Locations

CSA standard:

- C22.2 No. 137

Standard materials:

- Mounting modules, cover, ballast housing and globe holder – copper-free aluminum
- Globe – heat- and impact-resistant glass
- Exterior hardware – stainless steel

Standard finish:

- Copper-free aluminum – Corro-free powdered epoxy

Ordering information:

Mounting style	Supply voltage	Cat. # Fluorescent	Cat. # Fluorescent with battery back-up
Pendant mount	120-277V, 50-60 Hz	EVL PFA02520/UNV EXD	EVL PFA02520/UNV EXD
	120V, 60 Hz (Canada)		EVL PFA02520/120CAN EXD
	347V, 60 Hz	EVL PFA02520/347 EXD	EVL PFA02520/347 EXD
Ceiling mount	120-277V, 50-60 Hz	EVL PFCX02520/UNV EXD	EVL PFCX02520/UNV EXD
	120V, 60 Hz (Canada)		EVL PFCX02520/120CAN EXD
	347V, 60 Hz	EVL PFCX02520/347 EXD	EVL PFCX02520/347 EXD
Wall mount	120-277V, 50-60 Hz	EVL PFBX02520/UNV EXD	EVL PFBX02520/UNV EXD
	120V, 60 Hz (Canada)		EVL PFBX02520/120CAN EXD
	347V, 60 Hz	EVL PFBX02520/347 EXD	EVL PFBX02520/347 EXD

Options:

Description

Suffix

- Group B suitability **GB**
- Factory assembled with lamps..... **FA**



Electrical ratings:

Sources/wattage:

- 52W (two 26W lamps)
- 120-277V, 50-60 Hz
- 120V, 60 Hz
- 347V, 60 Hz

Conduit entries:

- 3/4", 1" NPT – pendant, wall bracket, ceiling mount

EVLPF(B) fluorescent exit signs

Cl. I, Div. 1, Groups B (with suffix GB), C, D
 Cl. I, Zone 1, Groups IIB + H₂ (with suffix GB), IIB
 Cl. II, Div. 1, Groups E, F, G
 Cl. III & Simultaneous Presence

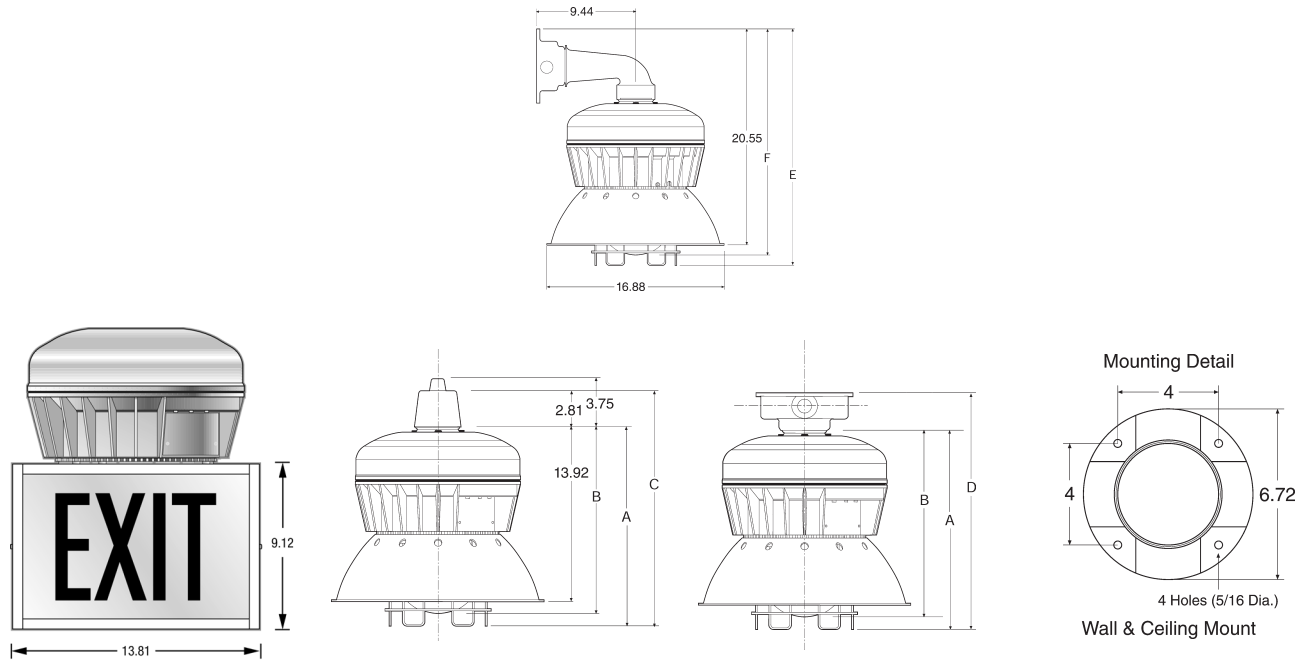
Marine & Wet Locations
 3, 3R, 4, 4X; IP66

7L

Temperature performance data:

Type	Watts	Minimum operating temp.	Class I, Groups B (with suffix GB), C, D; Class I, Zone 1	Class II, Groups E, F, G; Class III; Simultaneous Presence	Supply wire °C
			40°C	40°C	
Fluorescent	52	-18°C	T6	T6	75
	64	-18°C	T6	T6	75

Dimensions (in inches):



Type	A	B	C	D	E	F
Fluorescent	15.69	14.69	18.25	18.46	22.34	21.30

7L