

# NCB circuit breakers and enclosures

600 VAC, 250 VDC heavy duty

Corrosion-resistant  
Dusttight  
Watertight  
Weatherproof  
NEMA 3, 4X, 12

3C

## Applications:

- NCB circuit breakers are for use in conjunction with a variety of heating, lighting and power circuits to provide disconnect means and short circuit protection

## Features:

- Enclosures are made of Krydon, Eaton's Crouse-Hinds' high impact strength fiberglass-reinforced polyester material having excellent corrosion resistance and stability to heat
- Unitized, strong and durable enclosure construction provides longer service life for equipment
- Enclosure has hinged access door which opens 160° for easy wiring and maintenance; three screws for door frame are hidden behind access door
- Access door may be padlocked to prevent unauthorized access

## Certifications and compliances:

- NEMA 3, 4X, 12
- CSA standard: C22.2 No. 94
- UL standard: UL489

## Electrical ratings:

- 100, 150, 225, 250 ampere frame sizes

## Options:

### Description

### Suffix

- Insulated, groundable type terminal block for grounded or ungrounded neutral can be supplied ..... **S618**
- Hubs ..... **See note on hubs**
- Grounding plate or bushing ..... **See Section 1A**



Circuit breaker enclosure with built-in Krydon handle

**A** Formerly EHB.  
**B** Formerly FB.  
**C** Formerly JB.  
**D** Formerly LB.

# NCB circuit breakers and enclosures

600 VAC, 250 VDC heavy duty

Corrosion-resistant  
Dusttight  
Watertight  
Weatherproof  
NEMA 3, 4X, 12

3C

## Ordering information:

To order an enclosure complete with circuit breaker, insert the manufacturer's symbol in the designated position of the catalog number. Symbols are shown in the footnote below.

Enclosures only can be ordered. Select from listings below.

3C

### 100A frame (non-interchangeable trip)

Circuit breaker			Enclosure	
No. of poles	Voltage	Amperage	Cat. # Without circuit breaker	Cat. # With circuit breaker
2	240 VAC, 250 VDC	15	NCB1018F	NCB1018F ①15EB 22
		20		NCB1018F ①20EB 22
		25		NCB1018F ①25EB 22
		30		NCB1018F ①30EB 22
		35		NCB1018F ①35EB 22
		40		NCB1018F ①40EB 22
		50		NCB1018F ①50EB 22
		60		NCB1018F ①60EB 22
		70		NCB1018F ①70EB 22
		80		NCB1018F ①80EB 22
		90		NCB1018F ①90EB 22
2	480 VAC, 250 VDC	100	NCB1018F	NCB1018F ①100EB 22
		15		NCB1018F ①15EHB 24
		20		NCB1018F ①20EHB 24
		25		NCB1018F ①25EHB 24
		30		NCB1018F ①30EHB 24
		35		NCB1018F ①35EHB 24
		40		NCB1018F ①40EHB 24
		50		NCB1018F ①50EHB 24
		60		NCB1018F ①60EHB 24
		70		NCB1018F ①70EHB 24
		80		NCB1018F ①80EHB 24
90	NCB1018F ①90EHB 24			
100	NCB1018F ①100EHB 24			

### ① Circuit breakers

Manufacturer	Symbol	100A and 150A frame			225A and 250A frame
		240 VAC	480 VAC	600 VAC	600 VAC
General Electric	TT	TEB	TED <sup>Ⓔ</sup>	TED <sup>Ⓔ</sup>	
Cutler-Hammer	WT	EB	EHB, EHD	FB, FDB	JB, JDB

**NOTE ON HUBS:** The following number and sizes of hubs (not mounted) are included when circuit breakers are ordered complete. If enclosures only are ordered, hubs must be ordered separately (see Options section).

Circuit breaker frame	Amperage	Number included	Hub size
EB, EHD <sup>Ⓔ</sup> , FDB <sup>Ⓔ</sup>	15-50	2	1 1/4"
EB, EHD <sup>Ⓔ</sup> , FDB <sup>Ⓔ</sup>	60-100	2	2"
JDB <sup>Ⓔ</sup>	110-225	2	2 1/2"
KDB <sup>Ⓔ</sup>	250-400	2	3"

<sup>Ⓔ</sup>Specify voltage.

# NCB circuit breakers and enclosures

600 VAC, 250 VDC heavy duty

Corrosion-resistant  
Dusttight  
Watertight  
Weatherproof  
NEMA 3, 4X, 12

3C

## Ordering information (continued):

### 100A and 150A frame (non-interchangeable trip)

Circuit breaker		Enclosure					
No. of poles	Voltage	Amperage	Cat. # Without circuit breaker	Cat. # With circuit breaker			
2	600 VAC, 250 VDC	15	NCB1018F	NCB1018F ①15FB 26			
		20		NCB1018F ②20FB 26			
		25		NCB1018F ②25FB 26			
		30		NCB1018F ③30FB 26			
		35		NCB1018F ③35FB 26			
		40		NCB1018F ④40FB 26			
		50		NCB1018F ⑤50FB 26			
		70		NCB1018F ⑦70FB 26			
		80		NCB1018F ⑧80FB 26			
		90		NCB1018F ⑨90FB 26			
		100		NCB1018F ⑩100FB 26			
		3		240 VDC	15	NCB1018F	NCB1018F ①15EB 32
					20		NCB1018F ②20EB 32
					25		NCB1018F ②25EB 32
30	NCB1018F ③30EB 32						
35	NCB1018F ③35EB 32						
40	NCB1018F ④40EB 32						
50	NCB1018F ⑤50EB 32						
70	NCB1018F ⑦70EB 32						
80	NCB1018F ⑧80EB 32						
90	NCB1018F ⑨90EB 32						
3	480 VAC	15	NCB1018F	NCB1018F ①15EHB 34			
		20		NCB1018F ②20EHB 34			
		25		NCB1018F ②25EHB 34			
		30		NCB1018F ③30EHB 34			
		35		NCB1018F ③35EHB 34			
		40		NCB1018F ④40EHB 34			
		50		NCB1018F ⑤50EHB 34			
		70		NCB1018F ⑦70EHB 34			
		80		NCB1018F ⑧80EHB 34			
		90		NCB1018F ⑨90EHB 34			
3	600 VAC	15	NCB1018F	NCB1018F ①15FB 36			
		20		NCB1018F ②20FB 36			
		25		NCB1018F ②25FB 36			
		30		NCB1018F ③30FB 36			
		35		NCB1018F ③35FB 36			
		40		NCB1018F ④40FB 36			
		50		NCB1018F ⑤50FB 36			
		70		NCB1018F ⑦70FB 36			
		80		NCB1018F ⑧80FB 36			
		90		NCB1018F ⑨90FB 36			
100	NCB1018F ⑩100FB 36						

### 225A and 250A frame (non-interchangeable trip)Ⓞ

Circuit breaker		Enclosure		
No. of poles	Voltage	Amperage	Cat. # Without circuit breaker	Cat. # With circuit breaker
2	600 VAC, 250 VDC	110	NCB1024F	NCB1024F ①110JB 26
		125		NCB1024F ①125JB 26
		150		NCB1024F ①150JB 26
		175		NCB1024F ①175JB 26
		200		NCB1024F ②200JB 26
		225		NCB1024F ②225JB 26
3	600 VAC	110	NCB1024F	NCB1024F ①110JB 36
		125		NCB1024F ①125JB 36
		150		NCB1024F ①150JB 36
		175		NCB1024F ①175JB 36
		200		NCB1024F ②200JB 36
		225		NCB1024F ②225JB 36

### ①Circuit breakers

Manufacturer	Symbol	100A and 150A frame			225A and 250A frame
		240 VAC	480 VAC	600 VAC	600 VAC
General Electric	TT	TEB	TED ⑥	TED ⑥	TFJ
Cutler-Hammer	WT	EB	EHB, EHD	FB, FDB	JB, JDB

**NOTE ON HUBS:** The following number and sizes of hubs (not mounted) are included when circuit breakers are ordered complete. If enclosures only are ordered, hubs must be ordered separately (see Options section).

Circuit breaker frame	Amperage	Number included	Hub size
EB, EHD ④, FDB ①	15-50	2	1 1/4"
EB, EHD ④, FDB ①	60-100	2	2"
JDB ①	110-225	2	2 1/2"

⑥ Also available with interchangeable trip breakers. Specify on order.

④ Specify voltage.

④ Formerly EHB.

① Formerly FB.

① Formerly JB.

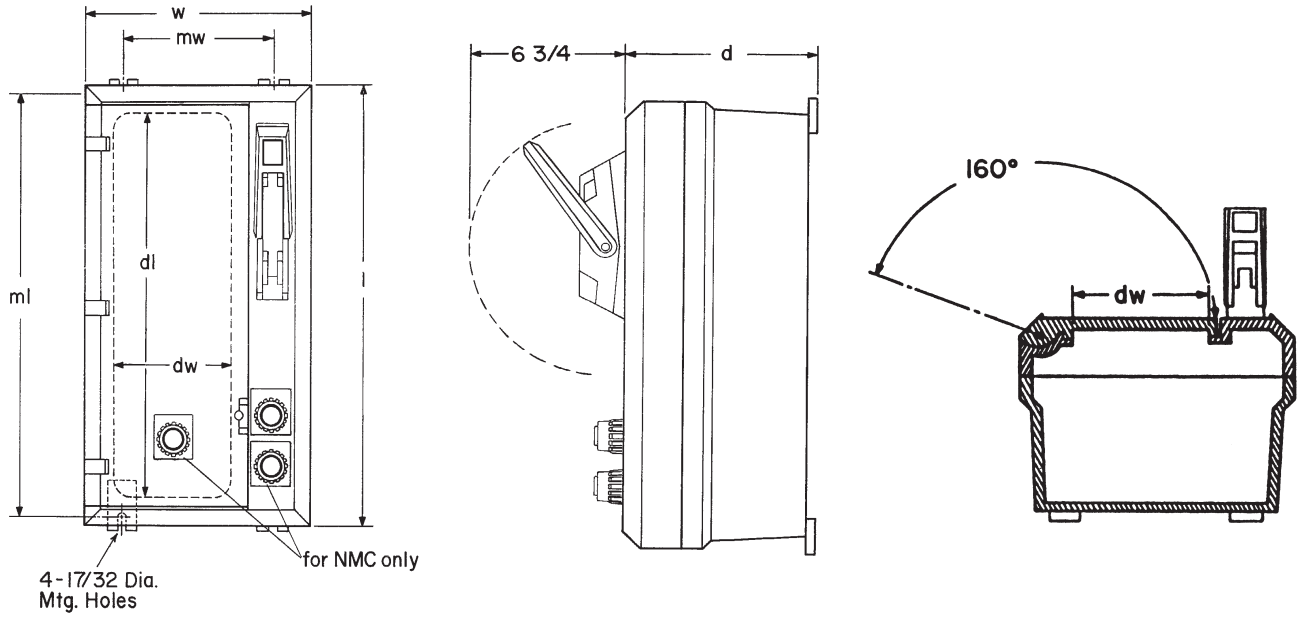
# NCB circuit breakers and enclosures

600 VAC, 250 VDC heavy duty

Corrosion-resistant  
Dusttight  
Watertight  
Weatherproof  
NEMA 3, 4X, 12

3C

## Dimensions<sup>Ⓢ</sup> (in inches):



3C

Cat. #	Outside dimensions			Mounting dimensions		Door opening dimensions	
	l	w	d	mw	ml	dl	dw
NCB1018	$19\ 13/32$	$11\ 13/32$	$8\ 23/32$	$7\ 7/8$	$19\ 3/8$	$16\ 7/8$	$5\ 1/16$
NCB1024	$25\ 13/32$	$11\ 13/32$	$8\ 23/32$	$7\ 7/8$	$25\ 3/8$	$22\ 7/8$	$5\ 1/16$

<sup>Ⓢ</sup>Dimensions are approximate, not for construction purposes.