

ADE-1F2 O-ring - for non-armoured cable

Hazardous area cable glands



Suitable for the following cable types:

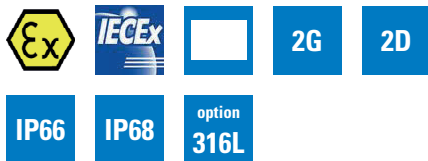
- Non-armoured cable
- Marine shipboard cable; Type P cable
- Tray cable: TC

Provides 25% of cable clamping. As per IEC60079 § A.2.3.2 for group II or III cable glands, "without a clamping device, additional clamping of the cable is needed to ensure that pulling & twisting is not transmitted to the terminations". We recommend using the certified ADE clamping module (page 2.29).

Certifications and compliances

- **ATEX No. INERIS 12ATEX0032X**
Zones 1 and 2, Groups IIA, IIB and IIC
Zones 21 and 22, Groups IIIA, IIIB and IIIC
⊕ II2GD / Ex db IIC / Ex eb IIC / Ex tb IIIC
⊕ II3G Ex nRc IIC
- **IECEX No. IECEX INE 12.0025X**
Zones 1 and 2, Groups IIA, IIB and IIC
Zones 21 and 22, Groups IIIA, IIIB and IIIC
Ex db IIC / Ex eb IIC / Ex nRc IIC / Ex tb IIIC

- **UL: 3DJN E310130 Class I Zone 1*, AEx e II**
⊕ ADE size 3 to 8, ISO 20 to 40 with non-armoured cable TC-ER-HL up to 1" diameter.
 - **UL: 3DJN E310130 Class I Zone 2*, AEx e II, Ex e II**
⊕ ADE size 3 to 17, ISO 20 to 110 with non-armoured cable ITC, MV, PLTC, TC-ER, TC-ER-HL, TC
 - **UL: 3LRC E314047 Class I Zone 2*, AEx e II, Ex e II**
⊕ ADE size 3 to 19, ISO 20 to 110 with non-armoured marine cable
- *Can be used in DNV provided that the enclosure contains no components that produce arcs or sparks.



Other certificates:

- **CEPEL** 06.0558X
- **CCOE** P360379-1
- **KORSA** 2015-BO-0245 to 0248
- **NANIO** TC-RU C-FR.ΓB05.B.00858
- **NEPSI** GYJ13.1082X

Shipping applications:

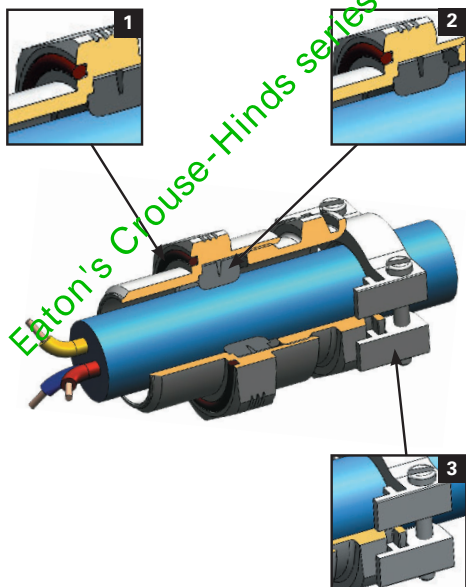
- **ABS** 14-HS1274083-PDA
- **BV** 40910/A0 BV
- **DNV** TAE000010X
- **Lloyds** 11/00072
- **DTS-01:1991**

Technical specification

- Nickel-plated brass for superior corrosion resistance. 316L stainless steel option available. It is recommended that a suitable lubricant is used on all threads of stainless steel and aluminum versions.
- Temperature range: -60 °C to +140 °C
- IP66 / IP68 according to the method of attachment and the condition of the equipment area, see page 2.5

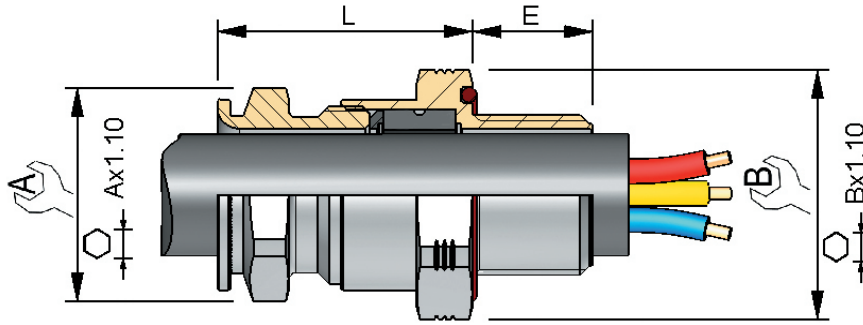
Features and benefits

- 1: Integrated O-ring eliminates need for externally fitted sealing washer.
- 2: Specifically formulated elastomer for IP sealing on outer sheath of cable.
- 3: Additional external cable clamping for strain relief (optional).



ADE-1F2 O-ring - for non-armoured cable

Hazardous area cable glands



* For 'across corners' dimensions, multiply 'across flats' dimensions by 1.1

** For 'E' see thread dimension page 5.18

| SERIES | THREAD SIZE | CABLE SEALING RANGE | MATERIAL | OPTION |
|--------|-------------|---------------------|----------|--------|
| ADE10 | M25 | 3 | NPN | |

0 = XS
1 = S
2 = M
3 = L

| CODES | |
|-------|---------------------|
| BLANK | No option |
| NPN | Nickel-plated Brass |
| SSN | Stainless steel |

| KIT OPTIONS | |
|-----------------|---|
| Kit 1 contents: | |
| K1 | • Locknut • Green composite washer |
| Kit 2 contents: | |
| K2 | • Locknut • Green composite washer • Earth tag • Shroud |
| Kit 3 contents: | |
| K3 | • Locknut • Green composite washer • Earth tag • Serrated washer |

Ordering codes

| SERIES | THREAD SIZE (ISO) | THREAD SIZE CODE (ISO) | CABLE SEALING RANGE | CABLE SEALING RANGE ISO OUTER SHEATH MIN - MAX | A | B | L | ADE GLAND SIZE | CATALOG NUMBER (ISO) |
|--------|-------------------|------------------------|---------------------|--|----|----|------|----------------|----------------------|
| ADE10 | 20 | M20 | 0 | 2.8 - 5.5 | 15 | 28 | 39.0 | 3 | ADE10M200NPN |
| ADE10 | 20 | M20 | 1 | 4.5 - 8.5 | 17 | 28 | 40.0 | 4 | ADE10M201NPN |
| ADE10 | 20 | M20 | 2 | 7.0 - 12.0 | 19 | 28 | 40.0 | 5 | ADE10M202NPN |
| ADE10 | 20 | M20 | 3 | 10.0 - 16.0 | 24 | 28 | 47.0 | 6 | ADE10M203NPN |
| ADE10 | 25 | M25 | 1 | 7.0 - 12.0 | 19 | 34 | 42.5 | 5 | ADE10M251NPN |
| ADE10 | 25 | M25 | 2 | 10.0 - 16.0 | 24 | 34 | 47.0 | 6 | ADE10M252NPN |
| ADE10 | 25 | M25 | 3 | 13.5 - 20.5 | 30 | 34 | 51.5 | 7 | ADE10M253NPN |
| ADE10 | 32 | M32 | 2 | 13.5 - 21.0 | 30 | 41 | 61.0 | 7 | ADE10M322NPN |
| ADE10 | 32 | M32 | 3 | 18.0 - 27.5 | 41 | 41 | 61.0 | 8 | ADE10M323NPN |
| ADE10 | 40 | M40 | 2 | 18.0 - 27.5 | 41 | 48 | 65.0 | 8 | ADE10M402NPN |
| ADE10 | 40 | M40 | 3 | 23.0 - 34.0 | 48 | 48 | 65.0 | 9 | ADE10M403NPN |
| ADE10 | 50 | M50 | 0 | 23.0 - 34.0 | 48 | 58 | 68.0 | 9 | ADE10M500NPN |
| ADE10 | 50 | M50 | 1 | 29.0 - 41.0 | 55 | 58 | 68.0 | 10 | ADE10M501NPN |
| ADE10 | 50 | M50 | 2 | 35.0 - 45.0 | 64 | 64 | 72.5 | 11 | ADE10M502NPN |
| ADE10 | 63 | M63 | 2 | 35.0 - 45.0 | 64 | 72 | 77.0 | 11 | ADE10M632NPN |
| ADE10 | 63 | M63 | 3 | 42.0 - 56.0 | 72 | 72 | 77.0 | 12 | ADE10M633NPN |

Eaton's Crouse-Hinds series Authorized Distributor - Kunshan beiyuan electric Co., Ltd - csr@ksbyel.com