

PLLE linear LED lighting-harsh & heavy industrial area

Product introduction

The PLLE product Series LED Luminaires are using high-quality international brand LED chips, have extremely long lifespan. Multiple version of the LED are available, providing ideal solutions for indoor or outdoor areas to retrofit existing fluorescent fixtures.



Product features

Model	Length	Color temp.	Nominal lumens*	Wattage	Equivalent fluorescent luminaire
PLLE-2-C2-3L	735mm	5700K	3000lm	30W	2x18W
PLLE-2-C2-4L	735mm	5700K	4000lm	40W	2x36W
PLLE-4-C2-5L	1335mm	5700K	5000lm	60W	2x36W
PLLE-4-C2-8L	1335mm	5700K	8000lm	80W	2x58W

* Lumen values apply to 5700K light color, 70 CRI fixtures. Lumen output may vary slightly for different models.

* Tolerance+/-10%

- Reliability
 - Polycarbonate, 4J impact resistant
 - Cooper free aluminum for excellent corrosion and heat transfer properties
 - IP66 protection

- Permissible ambient temperature:
 - Standard luminaire: -40°C~+55°C
 - Emergency luminaire: -25°C~+55°C
 - Standard 5700K, also available for 3000K, 4000K, 5000K, 6500K.
- Anti shock and vibration proof
- Mercury-free
- Instant ON without time delay
- Rated life of 50,000 hours at 55 °C provides long term, lowmaintenance operation

Technical data

Ambient temp	-40°C ~ 55°C (Normal) -25°C ~ 55°C (Emergency)
Rated input volt	100~240 VAC; 108~250 VDC
Power factor	>0.9
CRI	Cool white>70 as standard, CRI>80 is optional
System watt*	2 series: 30W/40W 4 series: 60W/80W
Lumen output	2 series: 2000Lm/3000Lm/4000Lm 4 series: 4000Lm/5000Lm/7000Lm/8000Lm
Material	Aluminum
Weight	2 series normal: 5kg 2 series Em: 6kg 4 series normal: 10kg 4 series Em: 12kg
Terminals	6mm ²
Out line dimension	2 series: 735x180x130(mm) 4 series: 1335x180x130(mm)
Backup duration & lumen percentage	EM1=1.5h, 25% output, EM2=3h, 25% output, EM3=3h, 20% output
IP (IEC60529)	IP66

*Tolerance+/-5%

PLLE linear LED lighting-harsh & heavy industrial area

Ordering Information

Product Type	Colour Temp	Terminals	Throughwiring		Cable gland/ Threaded	Threaded Plug	Entry Opening	Part No.
			Single-ended	Twin-ended				
PLLE-3L								
PLLE-2-C2-3L-1/6-220-N	5700K	1x 6/6		-	2xM20	1	1	CCL1652794
PLLE-2-C2-3L-2/6-220-N		2x 6/6	-		4xM20	2	2	CCL1652802
PLLE-3L Emergency								
PLLE-2-C2-3L-EM1-1/6-220-N	5700K	1x 6/6		-	2xM20	1	1	CCL1652810
PLLE-2-C2-3L-EM1-2/6-220-N		2x 6/6	-		4xM20	2	2	CCL1652818
PLLE-4L								
PLLE-2-C2-4L-1/6-220-N	5700K	1x 6/6		-	2xM20	1	1	CCL1652890
PLLE-2-C2-4L-2/6-220-N		2x 6/6	-		4xM20	2	2	CCL1652898
PLLE-4L Emergency								
PLLE-2-C2-4L-EM3-1/6-220-N	5700K	1x 6/6		-	2xM20	1	1	CCL1652906
PLLE-2-C2-4L-EM3-2/6-220-N		2x 6/6	-		4xM20	2	2	CCL1652914
PLLE-5L								
PLLE-4-C2-5L-1/6-220-N	5700K	1x 6/6		-	2xM20	1	1	CCL1652954
PLLE-4-C2-5L-2/6-220-N		2x 6/6	-		4xM20	2	2	CCL1652962
PLLE-5L Emergency								
PLLE-4-C2-5L-EM1-1/6-220-N	5700K	1x 6/6		-	2xM20	1	1	CCL1652970
PLLE-4-C2-5L-EM1-2/6-220-N		2x 6/6	-		4xM20	2	2	CCL1652978
PLLE-8L								
PLLE-4-C2-8L-1/6-220-N	5700K	1x 6/6		-	2xM20	1	1	CCL1653050
PLLE-4-C2-8L-2/6-220-N		2x 6/6	-		4xM20	2	2	CCL1653058
PLLE-8L Emergency								
PLLE-4-C2-8L-EM3-1/6-220-N	5700K	1x 6/6		-	2xM20	1	1	CCL1653066
PLLE-4-C2-8L-EM3-2/6-220-N		2x 6/6	-		4xM20	2	2	CCL1653074

Eaton's Crouse-Hinds series Authorized distributor - kunshan beiyuan electric co.,ltd-csr@ksbyel.com

PLLE linear LED lighting-harsh & heavy industrial area

Metallic Cable Glands (Order Separately)

ADE-1F2

Catalog #	Metric Thread Size	Cable Types	Cable sealing range - Min	Cable sealing range - Max
ADE1M201NPN	M20	Non-armoured,	4.5	8.5
ADE1M202NPN	M20	Marine shipboard, Type P, Tray cable	7.0	12.0
ADE1M203NPN	M20	(armoured)	10.0	16.0



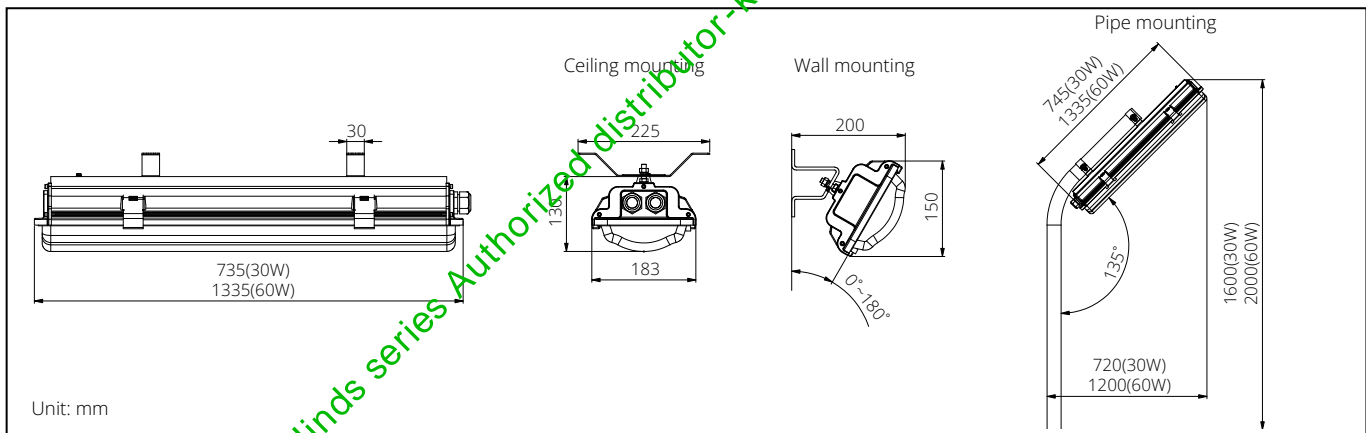
ADE-4F

Catalog #	Metric Thread Size	Cable Types	Cable sealing range inner sheath		Cable sealing range outer sheath		Armor	
			Min.	Max.	Min.	Max.	Min.	Max.
ADE4M201NPN	M20	SWA, SWB, STA,	4.5	8.0	7.0	12.0	0.2	0.9
ADE4M202NPN	M20	Braided marine shipboard, Type P; Leadsheathed cable (with addition of earthing washer)	7.0	12.0	10.0	16.0	0.2	1.3
ADE4M203NPN	M20		10.0	15.5	13.5	21.0	0.2	1.3

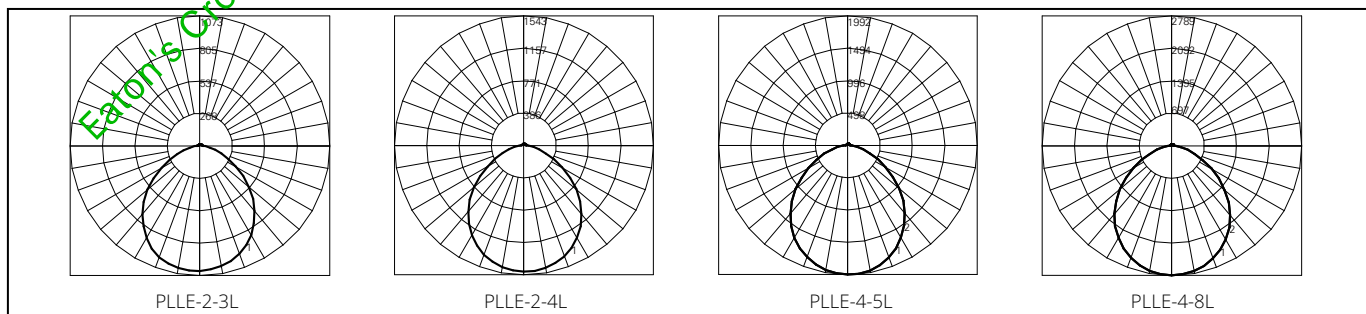


ADE-1F2 and ADE-4F catalog numbers are for nickel-plated brass; For other material options, please contact our sales representative.

Dimension

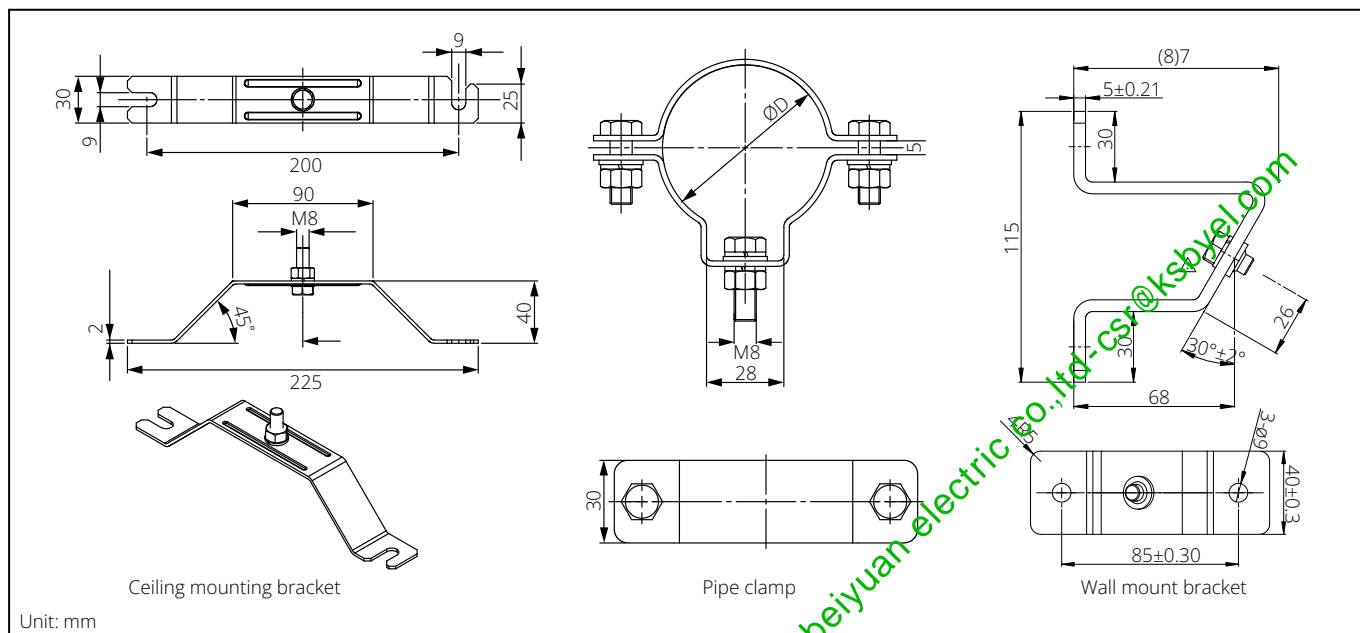


Polar curve



PLLE linear LED lighting-harsh & heavy industrial area

Mounting accessories (To be ordered separately)



Pipe mounting

Part No	Description	Qty*
CHR11076	Pipe clamp assy D42 316S/S	2
CHR11079	Pipe clamp assy D51 316S/S	2

Wall mounting

Part No	Description	Qty*
CHR11073	Wall suspension 316S/S	2

Ceiling mounting

Part No	Description	Qty*
CHR11099	Ceiling mounting BKT 316S/S	2

* For above part no. need to order 2pcs for one lighting fixture.