

Ex-plugs and receptacles for extended temperatures: 63 A 4/5-pole up to 690 V



Plug



Wall socket

Technical data

Ex-plugs and receptacles acc. to IEC 60309-1/2 up to 690 V

Marking accd. to 2014/34/EU	Ⓢ II 2G Ex db eb IIC/IIB T5 Gb Ⓢ II 2D Ex tb IIIC T80°C Db
Marking accd. to 2014/34/EU	Ex db eb IIC/IIB T5 Gb Ex tb IIIC T80°C Db
EC-Type Examination Certificate	BVS 17 ATEX E 073 X
IECEx Certificate of Conformity	IECEx BVS 17.0062X
Permissible ambient temperature	-55 °C to + 55 °C ³⁾
Rated voltage	690 V AC (4-pole) / 500V AC (5-pole)
Rated current	63 A
Frequency	up to 400 Hz
Rated making / Rated breaking capacity AC-3 accd. EN 60947-3	U_g 690 V / I_g 63 A
External back up fuse	without therm. protection: 63 A with therm. protection: 80 A gG (rated current 63 A set to)
Protection class	I
Degree of protection accd. to EN 60529	IP66
Enclosure colour	black

Wall socket

Cable entry/enclosure drilling	1 x M50 cable gland, 1 x M50 plastic Ex-screw plug or 2 x M40 metal thread with plastic Ex-screw plug
Connecting terminals	2 x 4 - 25 mm ² / with cable lug ¹⁾ 1 x 35 mm ²
Enclosure material	glass fibre reinforced polyester

Plug

Cable gland	Ø 19 - 34 mm
Connecting terminals	1 x 4 - 16 mm ² / 1 x 25 mm ² with pin cable lug ²⁾
Enclosure material	Polyamide

¹⁾ use supplied cable lugs

²⁾ see accessories

³⁾ Wall socket install protected against higher mechanical risk 4J under -40°C.

Details for used cable glands see pages 2.3.ff

Ex-plugs and receptacles for extended temperatures: 63 A 4/5-pole up to 690 V



Wall socket



Plug

Ordering details

Voltage	h	Aux. contact	Cable entry	Type	IIB / IIC low temp -55 °C up to +40/+55 °C	IIC high temp -20 °C up to +55 °C	Weight approx.	Order No.	
Type 63 A 4-pole									
200-250 V		-	KU	Wall socket		X	8.1 kg	GHG514 4409 R0001	
		-	ME	Wall socket			8.2 kg	GHG514 4409 R3001	
		-	ME	Wall socket		X		8.2 kg	GHG514 4409 R3101
				Plug		X	X	0.9 kg	GHG514 7409 R0001
380-415 V		-	KU	Wall socket		X	8.1 kg	GHG514 4406 R0001	
		-	ME	Wall socket			8.2 kg	GHG514 4406 R3001	
		-	ME	Wall socket		X		8.2 kg	GHG514 4406 R3101
		-	GM	Wall socket			X	8.2 kg	GHG514 4406 R3003
		-	GM	Wall socket		X		8.2 kg	GHG514 4406 R3103
				Plug		X	X	0.9 kg	GHG514 7406 R0001
480-500 V		-	KU	Wall socket		X	8.1 kg	GHG514 4407 R0001	
		-	ME	Wall socket			8.2 kg	GHG514 4407 R3001	
		-	ME	Wall socket		X		8.2 kg	GHG514 4407 R3101
		-	GM	Wall socket			X	8.2 kg	GHG514 4407 R3003
		-	GM	Wall socket		X		8.2 kg	GHG514 4407 R3103
				Plug		X	X	0.9 kg	GHG514 7407 R0001
600-690 V		-	KU	Wall socket		X	8.1 kg	GHG514 4405 R0001	
		-	ME	Wall socket			8.2 kg	GHG514 4405 R3002	
		-	ME	Wall socket		X		8.2 kg	GHG514 4405 R3102
				Plug		X	X	0.9 kg	GHG514 7405 R0001
Type 63 A 5-pole									
200-250 V		-	KU	Wall socket		X	8.1 kg	GHG514 4506 R0001	
380-415 V		-	ME	Wall socket			X	8.2 kg	GHG514 4506 R3001
		-	ME	Wall socket		X		8.2 kg	GHG514 4506 R3101
		-	GM	Wall socket			X	8.2 kg	GHG514 4506 R3006
		-	GM	Wall socket		X		8.2 kg	GHG514 4506 R3106
				Plug		X	X	0.9 kg	GHG514 7506 R0001

other voltage ranges and versions, e.g. with aux. contact, on request

KU = 1 x plastic cable glands M40 cable gland, 1 x M40 plastic Ex-screw plug

ME = 2 x metal thread M32 with plastic Ex-screw plug

Ex-plugs and receptacles for extended temperatures: 63 A 4/5-pole up to 690 V

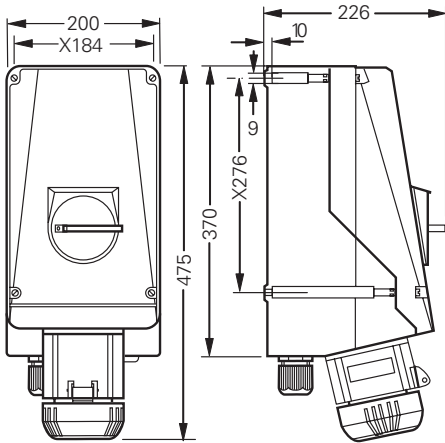


Plug

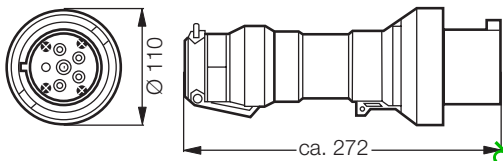


Wall socket

Dimension drawing / wiring diagram

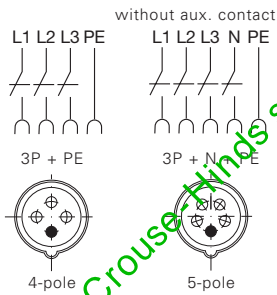


Wall socket 4/5-pole



Plug 4/5-pole

X = fixing dimensions



Eaton's Crouse-Hinds series Authorized distributor - kunshan beiyuan electric co.,ltd-csr@ksbyel.com