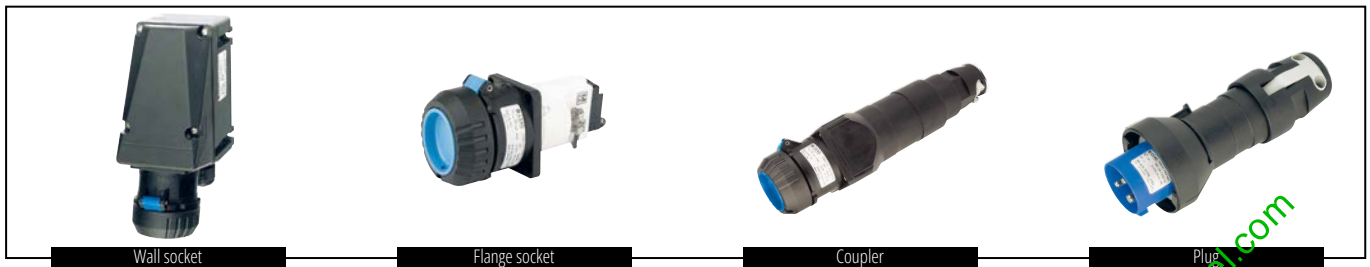


# 16A 3-pole, 4-pole and 5-pole up to 690 V

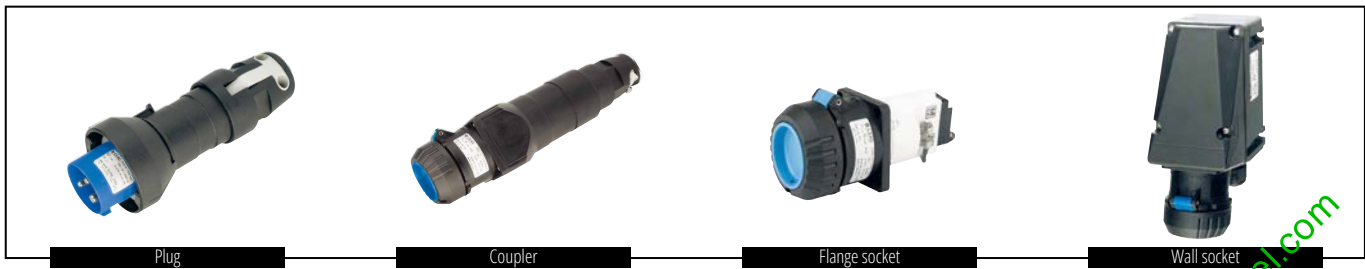


## Technical data

<b>Ex-plugs and receptacles acc. to IEC 60309-1/2 16A</b>	
<b>Marking accd. to 2014/34/EU</b>	Wall socket, plug, coupler: II 2G / Ex db eb [ia] IIC / IIB+H2 T6 II 2 D Ex IIIC / IIB T80 Db Flange socket: II 2G Ex db eb IIC / IIB+H2 Gb II 2 D Ex tb IIIC Db
<b>EC-Type Examination Certificate</b>	Wall socket, plug, coupler: BVS 17 ATEX E 053 X Flange socket: BVS 15 ATEX E 101 U
<b>IECEX Certificate of Conformity</b>	Wall socket, plug, coupler: IECEX BVS 17.0045X Flange socket: IECEX BVS 15.0046U
<b>EAC (TR)</b>	1EX D E [IA] IIC/IIB T6 GB X EX TB IIIC T80°C DB X
<b>Permissible ambient temperature</b>	-55 °C to + 55 °C
<b>Rated voltage</b>	up to 415 V, (3-pole) / 690 V, (4-pole) / 690 V, (5-pole) AC
<b>Rated current</b>	16 A
<b>Frequency</b>	up to 400 Hz
<b>Rated making / Rated breaking capacity AC-3 accd. EN 60947-3</b>	Ue 250 V / Ie 16 A (3-pole) Ue 690 V / Ie 16 A (4-pole) Ue 500 V / Ie 16 A (5-pole)
<b>External back-up fuse, max.</b>	without therm. protection: 16 A with therm. protection: 35 A gG (rated current 16 A set to)
<b>Protection class</b>	IP66
<b>Degree of protection accd. to EN 60529</b>	IP66
<b>Enclosure colour</b>	black
<b>Wall socket</b>	
<b>Cable entry</b>	1 x M25 cable gland, 1 x M25 plastic Ex-screw plug or 2 x metal thread M20 with plastic Ex-screw plug
<b>Connecting terminals</b>	2 x 1.5 – 4.0 mm <sup>2</sup>
<b>Enclosure material</b>	Glass-fibre reinforced polyester
<b>Plug</b>	
<b>Cable entry</b>	Ø 8 – 18 mm (3-pole) / Ø 8 – 21 mm (4-pole) / 12 – 21 mm (5-pole)
<b>Connecting terminals</b>	1 x 1.0 – 4.0 mm <sup>2</sup>
<b>Enclosure material</b>	Polyamide
<b>Coupler</b>	
<b>Cable entry</b>	Ø 8 – 19 mm (3-pole) / Ø 8 – 21 mm (4-pole) / 12 – 21 mm (5-pole)
<b>Connecting terminals</b>	1 x 1.5 – 4.0 mm <sup>2</sup>
<b>Enclosure material</b>	Polyamide
<b>Flange socket</b>	
<b>Connecting terminals</b>	2 x 1.5 – 4.0 mm <sup>2</sup>
<b>Enclosure material</b>	Polyamide

Plug install protected against higher mechanical risk 4J under -40°C.

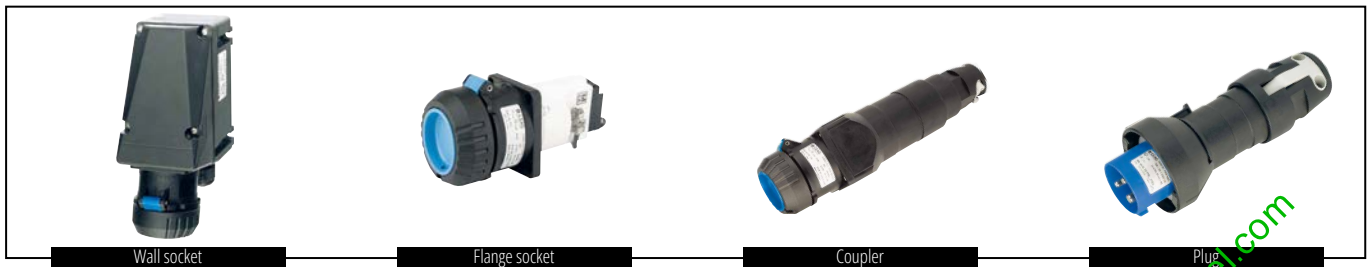
# 16A 3-pole, 4-pole and 5-pole up to 690 V



## Ordering details

Voltage	h	Type	Aux. contact	Cable entry	Weight	Extended temp		Standard temp	Order No.
						IIB+H2 -55 °C up to +45 °C (16 A)	IIC -20 °C up to +55 °C (10 A)		
<b>Type 16A 3pol</b>									
110 -130V		Wall socket	-	KU	1.2 kg			X	GHG5114304R0001
		Wall socket	-	GE	1.2 kg			X	GHG5114304R0002
		Wall socket	-	GE	1.2 kg	X			GHG5114304R102
		Wall socket	-	ME	1.3 kg			X	GHG5114304R3001
		Wall socket	-	ME	1.3 kg	X			GHG5114304R3101
		Wall socket	-	GM	1.3 kg			X	GHG5114304R3003
		Wall socket	-	GM	1.3 kg	X			GHG5114304R3103
		Flange socket	-		0.4 kg			X	GHG5118304R0001
		Flange socket	-		0.4 kg	X			GHG5118304R0101
		Coupler	-		0.7 kg			X	GHG5113304R0001
		Plug	-		0.35 kg	X		X	GHG5117304R0001
<b>Type 16A 3pol</b>									
200-250 V		Wall socket	-	KU	1.2 kg			X	GHG5114306R0001
		Wall socket	-	GE	1.2 kg			X	GHG5114306R0002
		Wall socket	-	GE	1.2 kg	X			GHG5114306R0102
		Wall socket	-	ME	1.3 kg			X	GHG5114306R3001
		Wall socket	-	ME	1.3 kg	X			GHG5114306R3101
		Wall socket	-	GM	1.3 kg			X	GHG5114306R3003
		Wall socket	-	GM	1.3 kg	X			GHG5114306R3103
		Flange socket	-		0.4 kg			X	GHG5118306R0001
		Flange socket	-		0.4 kg	X			GHG5118306R0101
		Coupler	-		0.7 kg			X	GHG5113306R0001
		Plug	-		0.35 kg	X		X	GHG5117306R0001
<b>Type 16 A 4-pole</b>									
200-250 V		Wall socket	-	KU	1.2 kg			X	GHG5114409R0001
		Wall socket	-	ME	1.3 kg			X	GHG5114409R3001
		Wall socket	-	ME	1.3 kg	X			GHG5114409R3101
		Wall socket	-	GM	1.3 kg			X	GHG5114409R3003
		Wall socket	-	GM	1.3 kg	X			GHG5114409R3103
		Flange socket	-		1.0 kg			X	GHG5118409R0001
		Flange socket	-		1.0 kg	X			GHG5118409R0101
		Coupler	-		1.7 kg			X	GHG5113409R0001
		Plug	-		0.35 kg	X		X	GHG5117409R0001
380-415V		Wall socket	-	KU	1.2 kg			X	GHG5114406R0001
		Wall socket	-	ME	1.3 kg			X	GHG5114406R3001
		Wall socket	-	ME	1.3 kg	X			GHG5114406R3101
		Wall socket	-	GM	1.3 kg			X	GHG5114406R3003
		Wall socket	-	GM	1.3 kg	X			GHG5114406R3103
		Flange socket	-		1.0 kg			X	GHG5118406R0001
		Flange socket	-		1.0 kg	X			GHG5118406R0101
		Coupler	-		1.7 kg			X	GHG5113406R0001
		Plug	-		0.35 kg	X		X	GHG5117406R0001

# 16A 3-pole, 4-pole and 5-pole up to 690 V



## Ordering details

Voltage	h	Type	Aux. contact	Cable entry	Weight	Temperature ratings		Order No.
						Extended temp IIB+H2 -55 °C up to +45 °C (16 A) IIC -20 °C up to +55 °C (10 A)	Standard temp IIC -20 °C up to +55 °C (16 A)	
<b>Type 16A 4pol</b>								
480-500V		Wall socket	-	KU	1.2 kg		X	GHG5114407R0001
		Wall socket	-	ME	1.3 kg		X	GHG5114407R3001
		Wall socket	-	ME	1.3 kg	X		GHG5114407R3101
		Flange socket	-		1.0 kg			GHG5118407R0001
		Flange socket	-		1.0 kg	X		GHG5118407R0101
		Coupler	-		1.7 kg		X	GHG5113407R0001
		Plug	-		0.35 kg	X		GHG5117407R0001
		600-690V		Wall socket	-	KU	1.4 kg	
Wall socket	-	ME		1.5 kg		X	GHG5114405R3001	
Wall socket	-	ME		1.5 kg	X		GHG5114405R3101	
Flange socket	-			1.0 kg		X	GHG5118405R0001	
Flange socket	-			1.0 kg	X		GHG5118405R0101	
Coupler	-			1.7 kg		X	GHG5113405R0001	
Plug	-			0.35 kg	X		GHG5117405R0001	
<b>Type 16A 5pol</b>								
200-250V 380-415V		Wall socket	-	KU	1.3 kg		X	GHG5114506R0001
		Wall socket	-	ME	1.3 kg		X	GHG5114506R3001
		Wall socket	-	ME	1.3 kg	X		GHG5114506R3101
		Wall socket	-	GM	1.3 kg		X	GHG5114506R3003
		Wall socket	-	GM	1.3 kg	X		GHG5114506R3103
		Flange socket	-		1.0 kg		X	GHG5118506R0001
		Flange socket	-		1.0 kg	X		GHG5118506R0101
		Coupler	-		1.7 kg		X	GHG5113506R0001
		Plug	-		0.35 kg	X		GHG5117506R0001

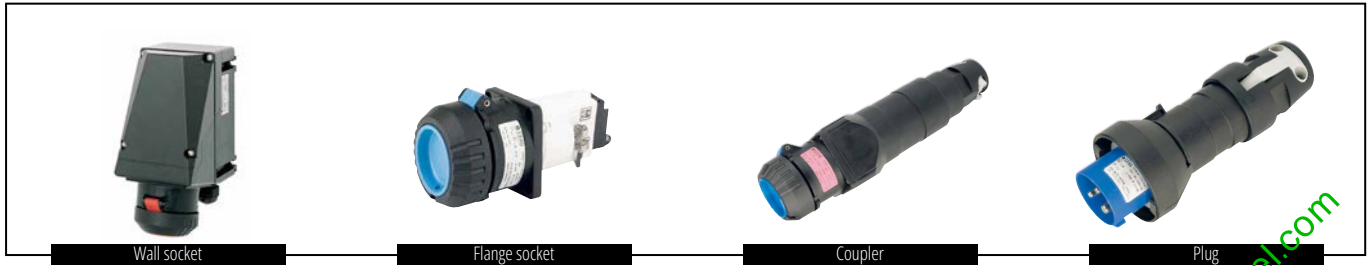
Other voltage ranges and versions available on request

KU = 1 x plastic cable glands M25, 1 x M25 plastic Ex-screw plug

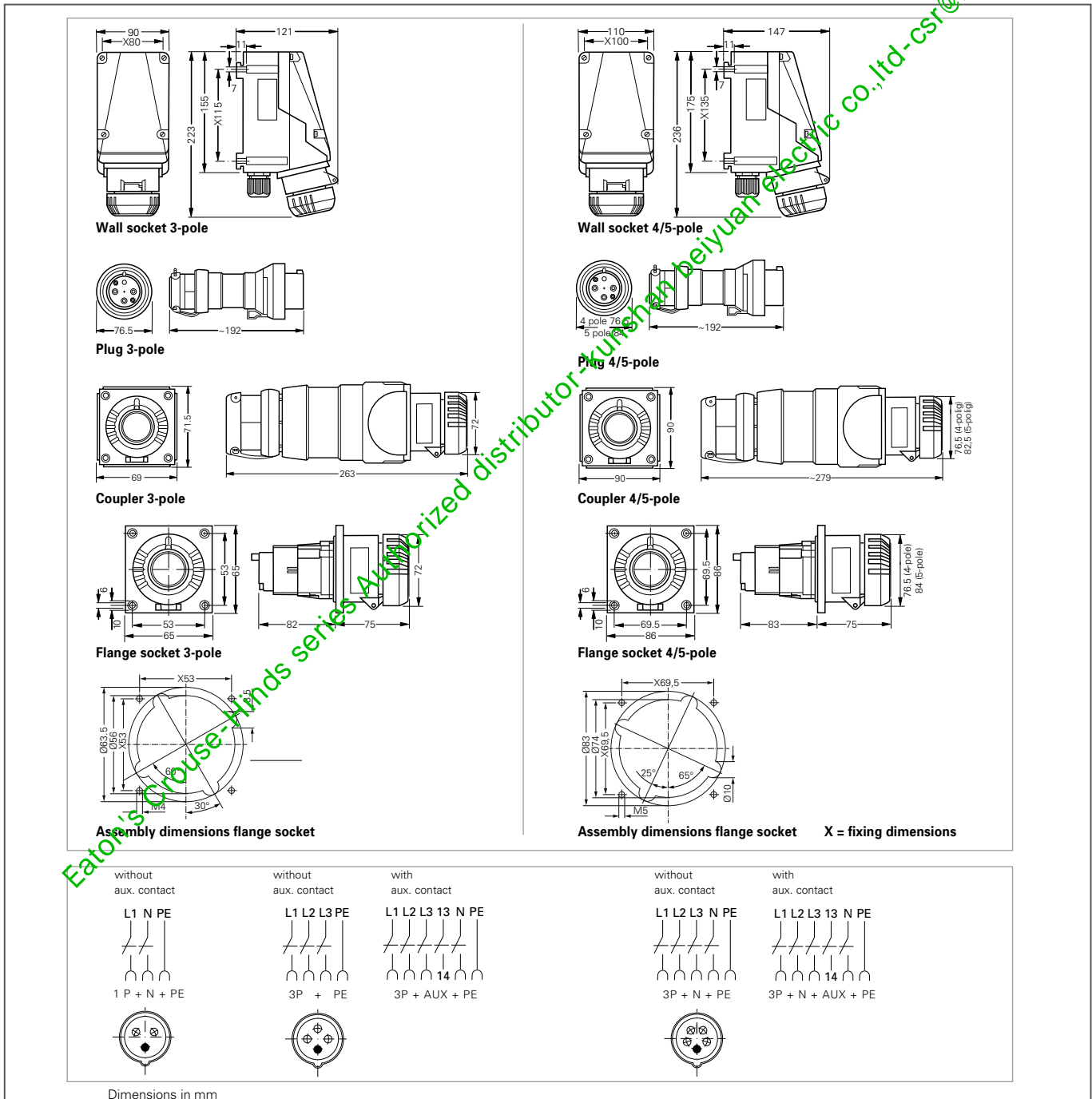
ME = 2 x metal thread M25

GM = 2 x metal thread M20 with screw plug, with external earth bolt M6 GE = 2x plastic thread M20 without gland/screw plug

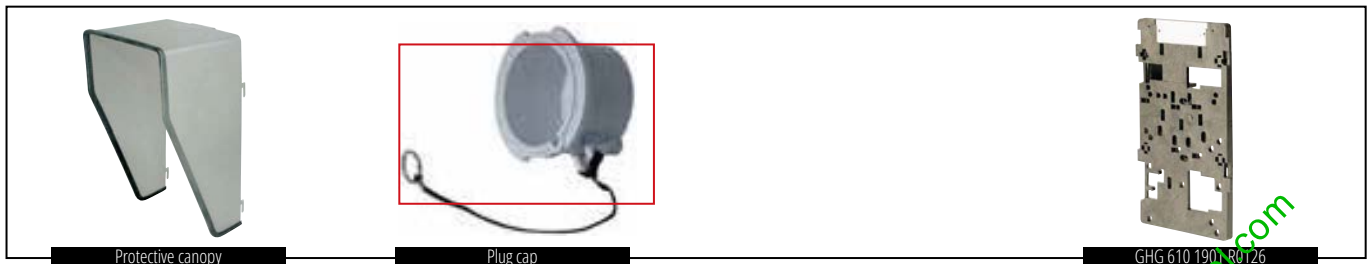
# 16A 3-pole, 4-pole and 5-pole up to 690 V



## Dimension drawing | wiring diagram



# 16A 3-pole, 4-pole and 5-pole up to 690 V



Protective canopy

Plug cap

GHG 610 1901 R0126

## Accessories

### Mounting plates for wall sockets 16 A

Type	Application	Fixing method	Order No.
Size 4	for wall mounting	snap on	GHG 610 1953 R0126
Size 4	for trellis mounting	snap on	GHG 610 1953 R0126
Size 4	for pipe mounting	snap on	GHG 610 1953 R0130

### Plug cap for plugs 16 A

Type	Order No.
Plug 16 A 3-pole	GHG 510 1901 R0001
Plug 16 A 4-pole	GHG 510 1901 R0002
Plug 16 A 5-pole	GHG 510 1901 R0003

### Accessories for mounting plates

Type	OU	Order No.
Mounting set for pipes 1" (Ø 27 - 30 mm) for mounting plates with pipe fixing 10	GHG 610 1953 R0020	

Please pay attention that only order units (OU) according to the Ordering Information can be delivered.

### Protective canopy for mounting plate

Type	Application	Order No.
Size 4	for mounting plate size 4, snap on	GHG 610 1955 R0107

## Dimension

