

# GHG273 light switch

cCSAus certified  
 Cl. I, Div. 2, Groups A, B, C, D  
 Cl. II, Div. 1, Groups E, F, G  
 Cl. II, Div. 2, Groups F, G

Cl. I, Zones 1 & 2, Ex de IIC T6  
 Cl. I, Zones 1 & 2, AEx de IIC T6

2A

## Applications:

GHG273 light switches are used:

- To prevent arcing of enclosed switch from causing ignition of a specific hazardous atmosphere external to the enclosure
- In Division 2, Zones 1 and 2 industrial areas, such as: chemical plants, oil and gas refineries, paint and varnish manufacturing plants, gasoline bulk loading terminals, grain elevators and processing industries, coal processing or handling areas or finishing areas where atmosphere may contain hazardous gases and/or dust
- In non-hazardous areas where sturdy, durable enclosures are required for both indoor and outdoor installations of light switches

## Features:

- Small and compact in design
- Large grounding plate
- Captive cover screws
- Protective collar for inadvertent operation
- Large actuator surface allows for operation while wearing work gloves
- Labyrinth seal to guarantee IP66 protection
- Toggle has a luminescent label to locate switch in dark areas
- Cable entry from the top is made possible by turning the base for single entry designs

## Certifications and compliances:

- cCSAus Listed
- Class I, Division 2, Groups A, B, C, D
- Class I, Zones 1 & 2, AEx de IIC T6
- Class I, Zones 1 & 2, Ex de IIC T6
- Class II, Division 1, Groups E, F, G
- Class II, Division 2, Groups F, G
- PTB 98 ATEX 3121
- IECEx BKI 07.0036
- IP66

## Standard materials:

- Body and cover – low temperature, impact-resistant thermoplastic
- Shaft and screws – stainless steel
- Grounding plate – nickel-plated brass

## Standard finishes:

- Thermoplastic – natural
- Stainless steel – natural
- Brass – nickel-plated

<sup>A</sup>Gland plates included.

<sup>B</sup>Dimensions are approximate, not for construction purposes.

## Electrical ratings:

	Voltage	Amperage
ATEX and IECEx	250 VAC	16
CSA	240 VAC	10

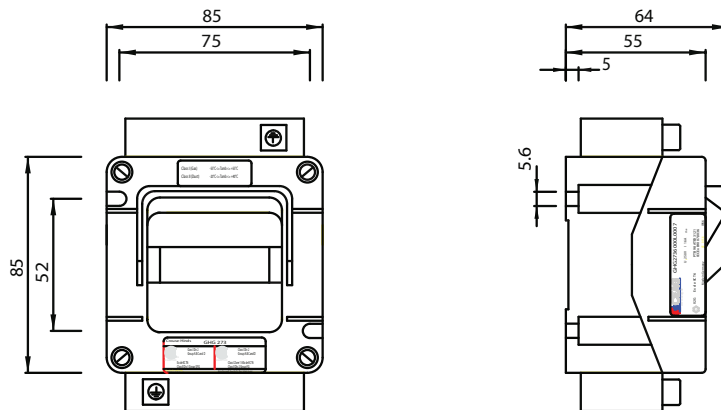


2A

## Ordering information:

Cat. #	Contact arrangement	Description	Entry size
GHG 273 2000 L0005		2-pole	1 x 1/2" NPT (bottom)
GHG 273 2000 L0006		2-pole	1 x 3/4" NPT (bottom)
GHG 273 2000 L0012		2-pole	1 x M20 (top), 2 x M20 (bottom) <sup>A</sup>
GHG 273 6000 L0001		3-way	1 x 1/2" NPT (bottom)
GHG 273 6000 L0002		3-way	1 x 3/4" NPT (bottom)
GHG 273 6000 L0007		3-way	1 x M20 (top), 2 x M20 (bottom) <sup>A</sup>

## Dimensions<sup>B</sup> (in millimeters):





Switch/Pushbutton

Technical data

Ex-installation switch and Ex-pushbuttons

Marking accd. to 2014/34/EU	⊕ II 2 G Ex de IIC T6 / ⊕ II 2 D Ex tD A21 IP66 T80 °C
EC-Type Examination Certificate	PTB 98 ATEX 3121
IECEX Certificate of Conformity	IECEX BKI 07.0036
Marking accd. to IECEx	Ex ed IIC T6 Ex tD A21 IP66 T67 °C
Permissible ambient temperature	-20 °C up to +40 °C -55 °C up to +55 °C (option)
Rated voltage	250 V, 50 - 60 Hz
Rated current	16 A
Connecting terminals	Switch terminals: 2 x 2.5 mm <sup>2</sup> / PE-terminals: 4 x 2.5 mm <sup>2</sup>
Degree of protection accd. to EN 60529	IP66
Cable glands <sup>1)</sup>	Ex e cable glands max. 2 x M25; 2 x M20 thread
Weight	0.32 kg
Enclosure material	Polyamide

Ordering details

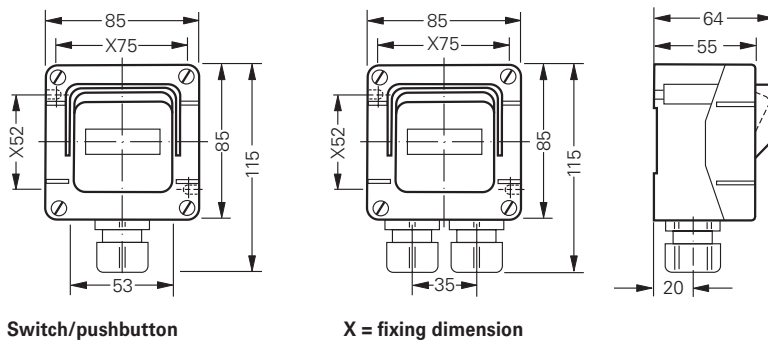
Type	Circuit	Cable glands <sup>1)</sup>	Order No.
ON-OFF switch 2-pole -55 °C up to +55 °C		1 x M25	<b>GHG 273 2000 R0017</b>
		2 x M25	<b>GHG 273 2000 R0018</b>
		2 x M20 <sup>2)</sup>	<b>GHG 273 2000 R0003</b>
		1 x M25	<b>GHG 273 2000 R0022</b>
Change-over switch -55 °C up to +55 °C		1 x M25	<b>GHG 273 6000 R0011</b>
		2 x M20 <sup>2)</sup>	<b>GHG 273 6000 R0003</b>
		2 x M25	<b>GHG 273 6000 R0014</b>
Pushbutton -55 °C up to +55 °C		1 x M25	<b>GHG 273 4000 R0004</b>
		2 x M25	<b>GHG 273 4000 R0007</b>
		1 x M25	<b>GHG 273 4000 R0010</b>

<sup>1)</sup> Base enclosure can be rotated after wards (entry from top or down)

<sup>2)</sup> Threaded only

Other versions available on request

Dimension drawing



Switch/pushbutton

X = fixing dimension

Dimensions in mm